



'Racing' Shift Knob



Instructions Manual





'Racing' Shift Knob

Instructions

Thanks for buying our product. Manufactured in anodized aluminum and with laser-printed details, Shutt Racing Shift Knob has higher durability and style. Drive with the Racing Spirit. Shutt Racing still offers steering wheels and pedal pads sets to match this shift knob, each sold separately.

Important recommendations:

- 1) Before installation, read the instructions very carefully;
- 2) Use the adequate tools for installation of this shift knob.

Content of this packing:

- 1) 1 (one) Shift knob;
- 2) 1 (one) Allen screw driver;
- 3) 1 (one) O'ring set.

Assembly project: (figure 1)

- 1) Loosen the screw using the allen screw driver;
- 2) Fit Shutt Racing Shift Knob onto the shift lever;
- 3) Tighten the screw of the shift knob using the allen screw driver that composes the kit.

Ps: Use the O'ring set only if the shift knob doesn't fit tight.

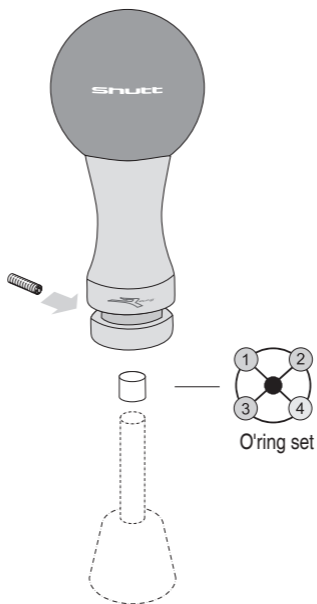


figure 1



Shutt Limited Warranty

Shutt products are warranted for ninety (90) days from date of purchase against manufacturing defects in materials or workmanship. During this warranty period, Shutt shall repair or replace, at its sole option, all parts that are found by Shutt to be defective and subject to this Limited Warranty. This Limited Warranty is made only to the original owner of this new Shutt product, and it shall remain in force only as long as the original owner retains ownership of the product. This Limited Warranty is not transferable. This Limited Warranty does not apply to normal wear and tear, nor to defects, malfunctions or failures that result from the abuse, neglect, shocks or crashes, improper maintenance, alteration, modification, accident, or misuse (including competitive or commercial racing), nor damage occurring during shipment. Shutt shall not be responsible for any direct, incidental, consequential or exemplary damages suffered by any party. Proof of purchase and date of purchase are required to validate warranty. This Limited Warranty gives you legal rights accordingly; you may also have other legal rights which vary from state to state and country to country.

I 71500100

Purchase date:

Store:

Stamp

Uneni Ind. Com. Imp. Exp. Ltda. - C.N.P.J. 74.522.251/0001-72